

# Solar Aviation Light

AV-60

## Features

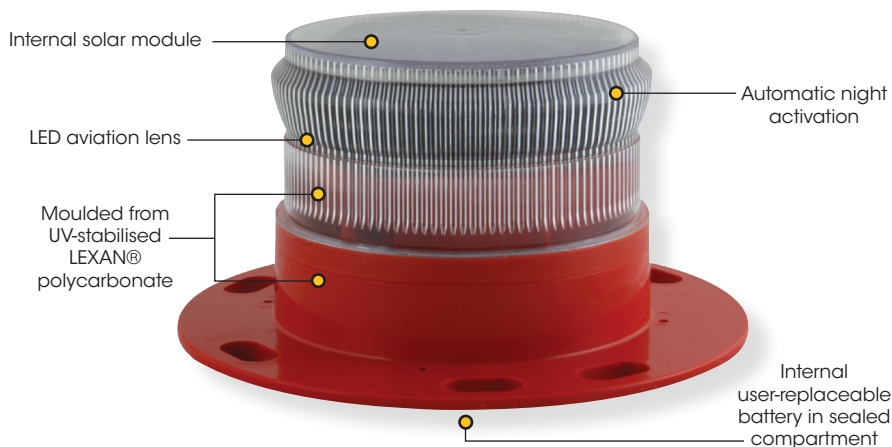
- Up to 5.7km visible range (flashing), up to 3.7km visible range (steady-on) - color dependant
- Integrated solar/battery system
- IP68 waterproof rating
- User-replaceable battery
- Ultra-high intensity LEDs (no changing globes ever)

## Typical Applications

- Solar Barricade Light
- Solar Caution Light
- Solar Hazard Light
- Solar Taxiway Light (ICAO)
- Solar Obstruction Light

## Compliance

- FAA AC150/5370-2F for construction and barricade installations
- ICAO Annex 14 Volume 1, 'Aerodrome Design and Operations', paragraph 5.3.17.7.



**The AV-60 solar LED light provides up to 5.7km visible range (flashing). The positive divergence, wide angle lens makes it suitable for a variety of applications including taxiway, general hazard, barricade and low-intensity obstruction lighting.**

Designed to be maintenance-free and have a service life of up to 12 years, the popular AV-60 model boasts user-adjustable intensity settings and can be set onsite to either steady-on or flashing operation. The light is simply switched 'ON', and the unit is ready for immediate operation. Once installed, the AV-60 requires no operator intervention.

The internal solar module charges the battery during daylight hours, and at dusk the light will automatically begin operation once the ambient light threshold drops sufficiently. The battery is housed in a sealed compartment allowing it to be changed after years of service.

Coupled with the latest LED technology, and a highly efficient DC/DC converter, the light may provide over 40 days of continuous operation without sunlight. The AV-60 comes with a large 200mm bolt pattern.

Several thousand AV-60 units are installed throughout Asia, Africa and the Middle East to mark telecommunications towers and other aerial obstructions.

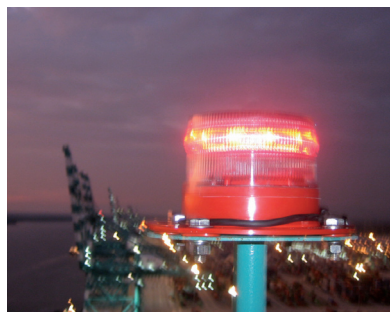
### Optional ON/OFF Switch

The AV-60 is also available with an optional external ON/OFF switch; this means, when in position, the light can be turned on with the flick of a switch.



Royal Flying  
Doctor Service

Avlite donates AU\$20 to the Royal Flying Doctor Service from the sale of each AV-60 & AV-70 light within Australia



## SPECIFICATIONS\* \*

## AV-60

### Light Characteristics

Light Source	6 ultra-high intensity LEDs
Available colors	Red, Green, White, Yellow, Amber, Blue, Sectored Combinations
Peak Intensity (cd)†	Steady-on: Blue - 1.0 Red - 3.3 Green - 5.0 White - 4.4 Yellow - 3.0 Flashing: Blue - 3.3 Red - 7.3 Green - 16.1 White - 14.3 Yellow - 6.9
Horizontal Output (degrees)	360
Vertical Divergence (degrees)	15
Reflector Type	Omnidirectional 360° LED Reflector (US Pat. No. 6,667,582, AU Pat. No. 778,918)
Available Flash Characteristics	>250 including steady-on (user-adjustable)
Intensity Adjustments	Adjustable in 25% increments
LED Life Expectancy (hours)	>100,000

### Electrical Characteristics

Operating Voltage (V)	3.6
Temperature Range	-40 to 80°C

### Solar Characteristics

Solar Module Type	Multicrystalline
Output (watts)	1.4
Solar Module Efficiency (%)	14
Charging Regulation	Microprocessor controlled

### Power Supply

Battery Type	High grade NiMH - Environmentally friendly
Battery Capacity (Ah)	8
Nominal Voltage (V)	3.6
Autonomy (nights)	Steady-on: >20 Flashing: >40 (14 hour darkness, 12.5% duty cycle)

### Physical Characteristics

Body Material	LEXAN® Polycarbonate - UV stabilized
Lens Material	LEXAN® Polycarbonate - UV stabilized
Lens Diameter (mm/inches)	140 / 5½
Lens Design	External optics with interior flute design
Mounting	6 x 17mm holes on 200mm PCD
Height (mm/inches)	120 / 4¾
Width (mm/inches)	231 / 9⅞
Mass (kg/lbs)	1.1 / 2⅜
Product Life Expectancy	Up to 12 years

### Environmental Factors

Humidity	0 to 100%, MIL-STD-810F
Icing	22kg per square inch
Wind Speed	Up to 160kph
Shock	MIL-STD-202G, Test Condition G, Method 213B
Vibration	MIL-STD-202G, Test Condition B, Method 204

### Certifications

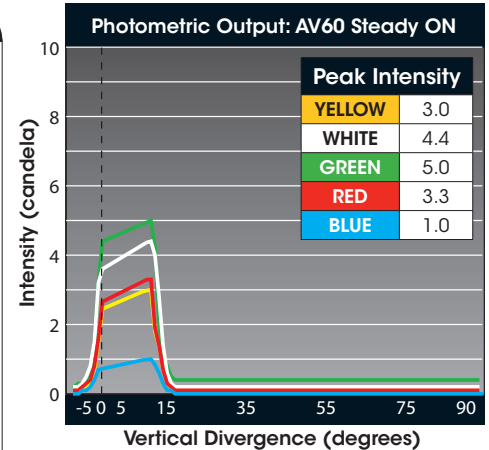
CE	EN61000-6-3:1997, EN61000-6-1:1997
Quality Assurance	ISO9001:2008
Waterproof	IP68

### Intellectual Property

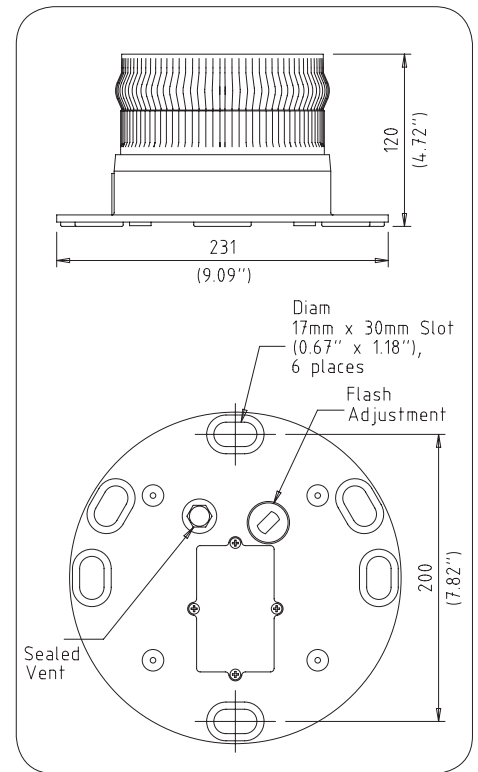
Patents	US Pat. No. 6,667,582, AU Pat. No. 778,918
Trademarks	AVLITE® is a registered trademark of Avlite Systems
Warranty *	3 year warranty

### Options Available

- IR LEDs
- External ON/OFF Switch



Steady ON, low intensity, wide angle lens



\* Specifications subject to change or variation without notice  
 \* Subject to standard terms and conditions  
 † Intensity setting subject to solar availability